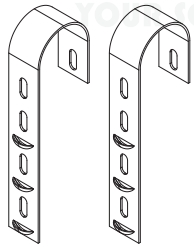
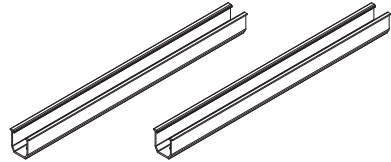


Version	Date	Approval	Change mark	Description of Change
A				

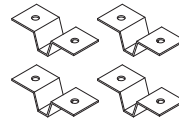
Project Name	Balcony Hook	Project No.	
Design		 厦门鹭伏特新能源科技有限公司 Xiamen Egret Solar New Energy Technology Co., Ltd	
Chk'D			
App'V'D			



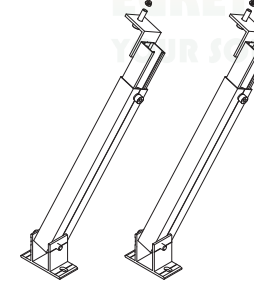
Hook



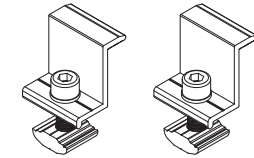
Rail



Hug Hoop



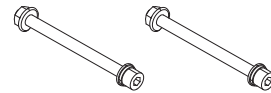
Adjustable Rod



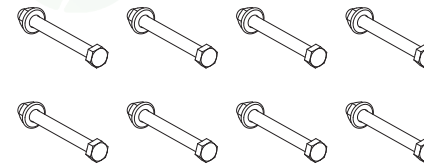
End Clamp



M8x25mm Hexagon socket bolt



M8x90mm Hexagon socket bolt




M10x55mm Outer hexagon bolt



M8x25mm Hexagon socket bolt

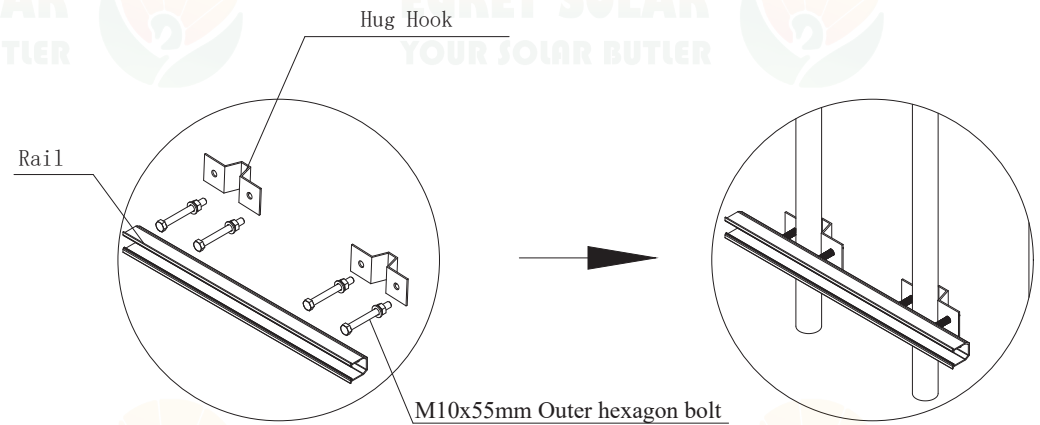
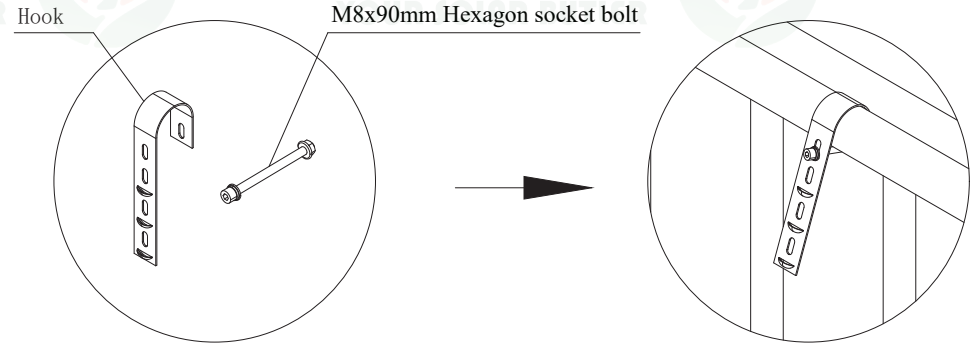
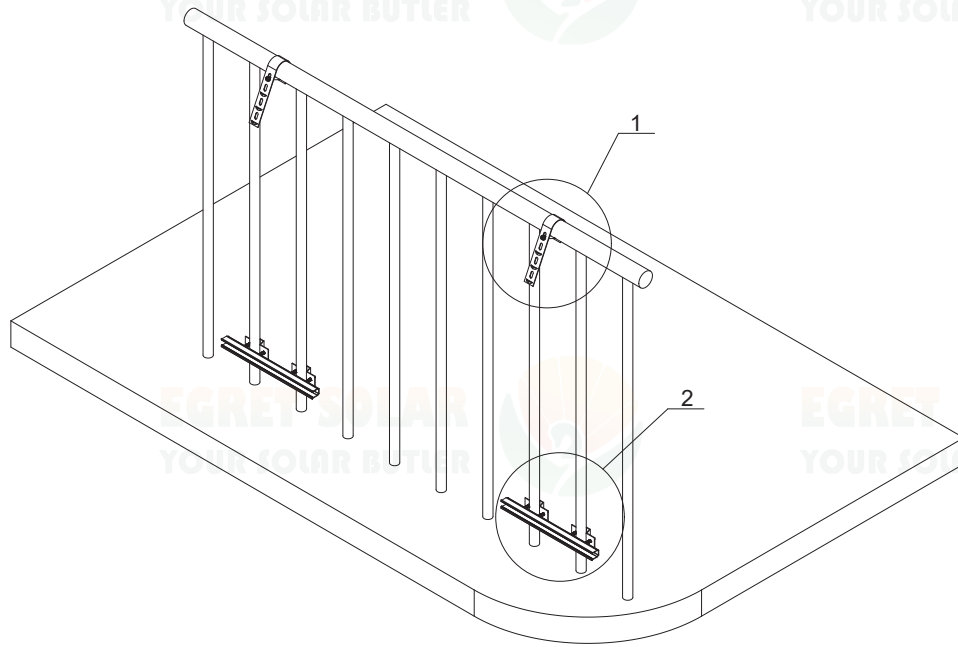
Version	Date	Approval	Change mark	Description of Change
A				

Project Name	Balcony Hook	Project No.	
Design		 厦门鹭伏特新能源科技有限公司 Xiamen Egret Solar New Energy Technology Co., Ltd	
Chk'D			
App'V'D			

EGRET SOLAR
YOUR SOLAR BUTLER

EGRET SOLAR
YOUR SOLAR BUTLER

EGRET SOLAR
YOUR SOLAR BUTLER



EGRET SOLAR
YOUR SOLAR BUTLER

EGRET SOLAR
YOUR SOLAR BUTLER

EGRET SOLAR
YOUR SOLAR BUTLER

Version	Date	Approval	Change mark	Description of Change
A				

Project Name	Balcony Hook	Project No.	
Design		 厦门鹭伏特新能源科技有限公司 Xiamen Egret Solar New Energy Technology Co., Ltd	
Chk'D			
App'V'D			

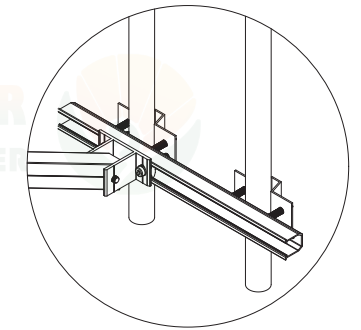
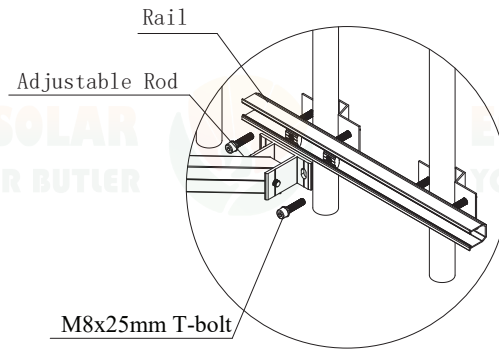
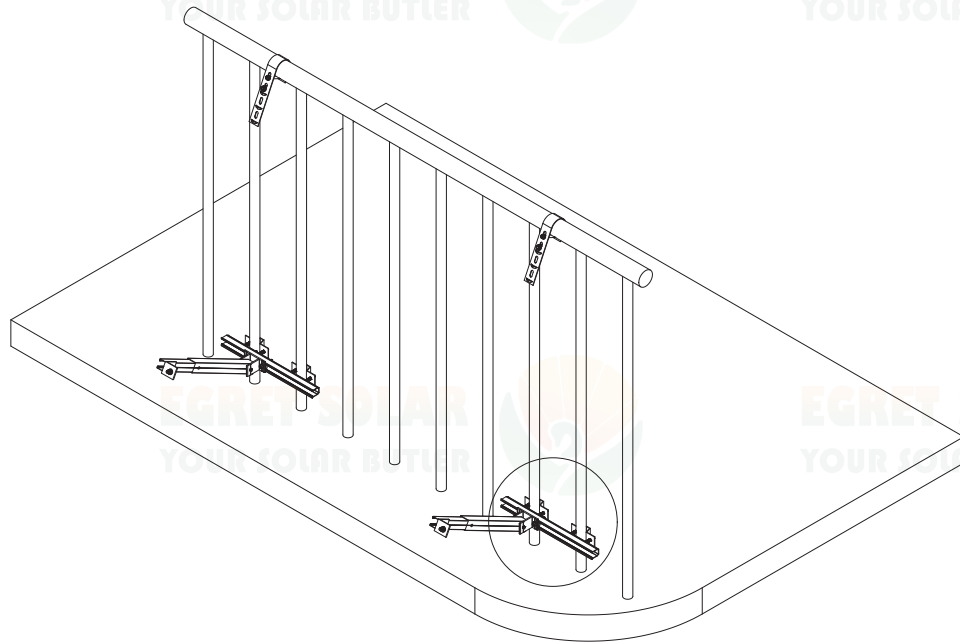
EGRET SOLAR
YOUR SOLAR BUTLER



EGRET SOLAR
YOUR SOLAR BUTLER



EGRET SOLAR
YOUR SOLAR BUTLER



EGRET SOLAR
YOUR SOLAR BUTLER




EGRET SOLAR
YOUR SOLAR BUTLER



EGRET SOLAR
YOUR SOLAR BUTLER



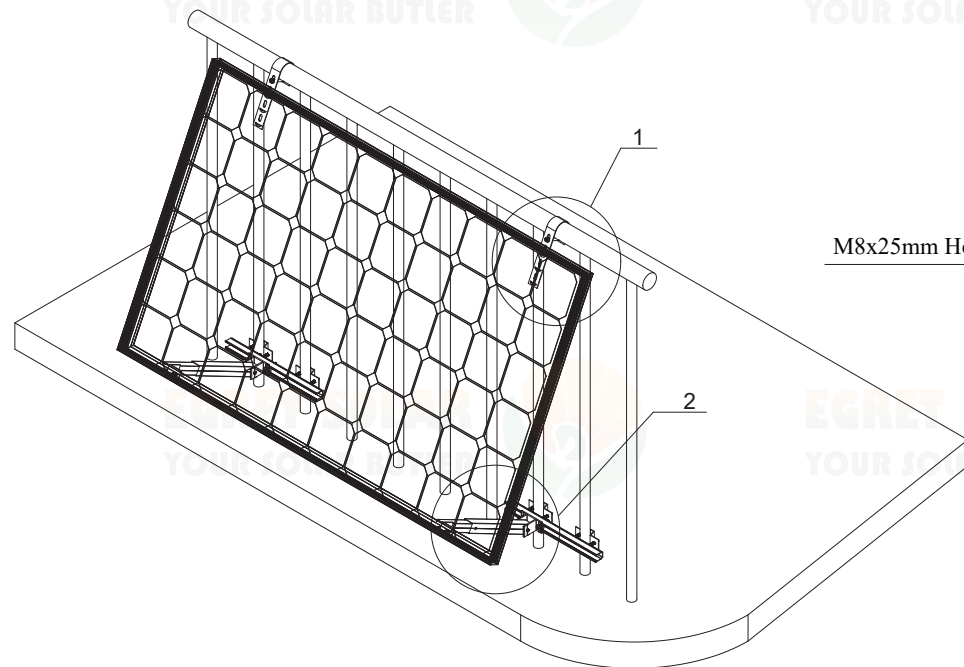
Version	Date	Approval	Change mark	Description of Change
A				

Project Name	Balcony Hook	Project No.	
Design		 厦门鹭伏特新能源科技有限公司 Xiamen Egret Solar New Energy Technology Co., Ltd	
Chk'D			
App'V'D			

EGRET SOLAR
YOUR SOLAR BUTLER

EGRET SOLAR
YOUR SOLAR BUTLER

EGRET SOLAR
YOUR SOLAR BUTLER

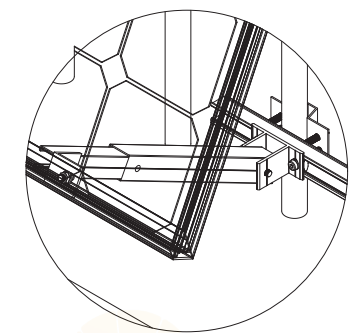
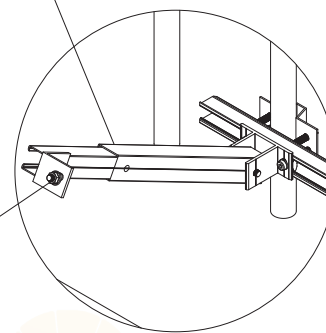
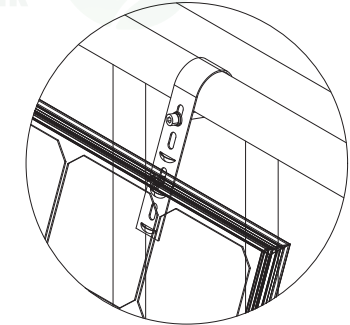
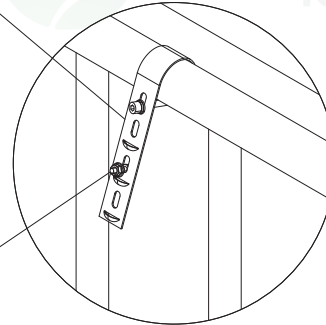


Hook

M8x25mm Hexagon socket bolt

Adjustable Rod

M8x25mm Hexagon socket bolt




EGRET SOLAR
YOUR SOLAR BUTLER

EGRET SOLAR
YOUR SOLAR BUTLER

EGRET SOLAR
YOUR SOLAR BUTLER

Version	Date	Approval	Change mark	Description of Change
A				

Project Name	Balcony Hook	Project No.	
Design		 厦门鹭伏特新能源科技有限公司 Xiamen Egret Solar New Energy Technology Co., Ltd	
Chk'D			
App'V'D			

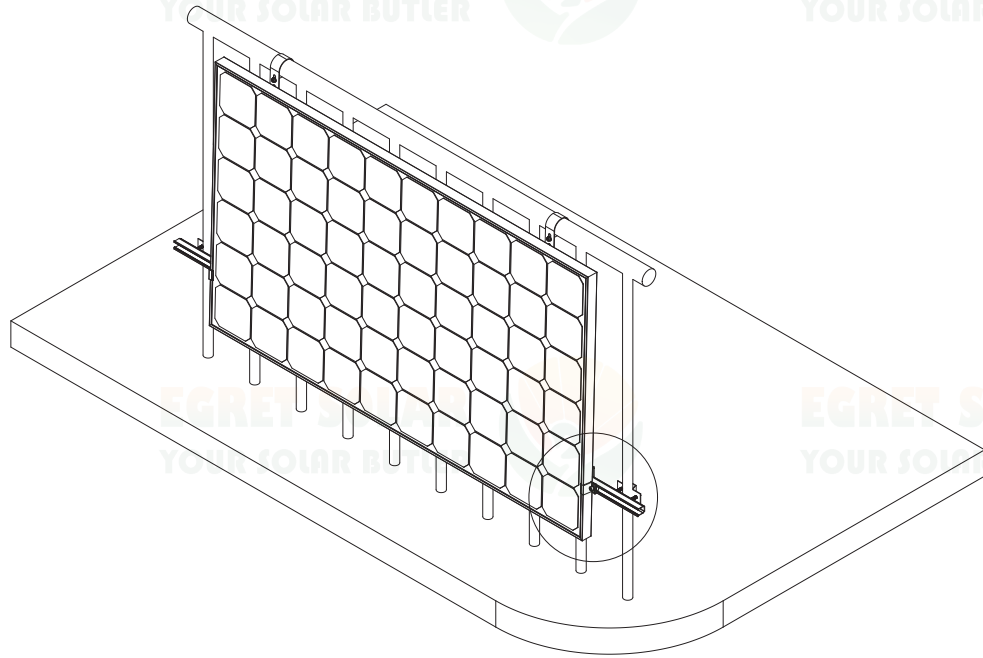
EGRET SOLAR
YOUR SOLAR BUTLER



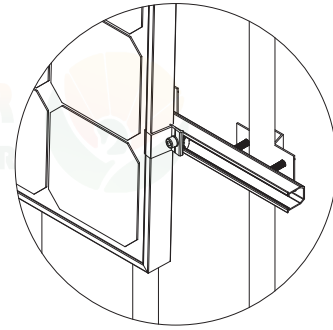
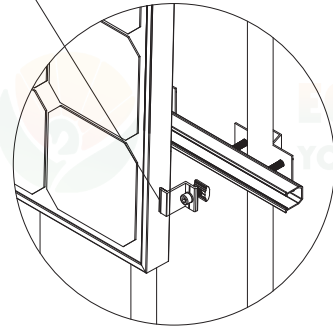
EGRET SOLAR
YOUR SOLAR BUTLER



EGRET SOLAR
YOUR SOLAR BUTLER



End Clamp



EGRET SOLAR
YOUR SOLAR BUTLER




EGRET SOLAR
YOUR SOLAR BUTLER



EGRET SOLAR
YOUR SOLAR BUTLER



Version	Date	Approval	Change mark	Description of Change
A				

Project Name	Balcony Hook	Project No.	
Design		 厦门鹭伏特新能源科技有限公司 Xiamen Egret Solar New Energy Technology Co., Ltd	
Chk'D			
App'V'D			